



## BRETT MODULAR

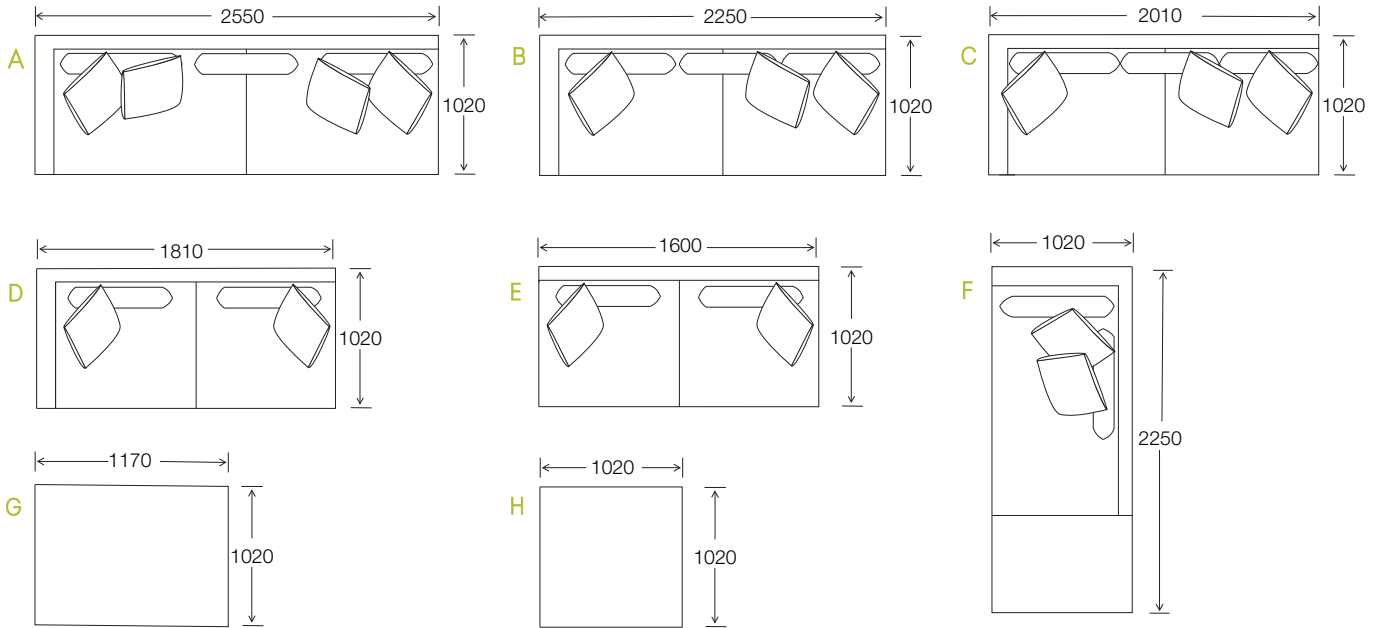
### FEATURES

The Brett sofa features powder steel legs, slim wrapped seat cushions and a layered design for back support.

The Brett sofa has contemporary European styling, versatility in length, and also has modular options available to suit most interior spaces.

## DIMENSIONS

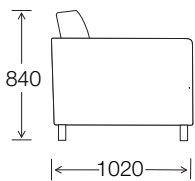
### ELEMENTS



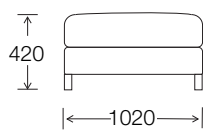
- A** - 4 seater sofa 1 arm LHF or RHF
- B** - 3.5 seater sofa 1 arm LHF or RHF
- C** - 3 seater sofa 1 arm LHF or RHF
- D** - 2.5 seater sofa 1 arm LHF or RHF
- E** - 2.5 seater no arm
- F** - Corner chaise LHF or RHF
- G** - Ottoman Large
- H** - Ottoman Small

### ADDITIONAL INFORMATION

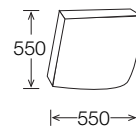
#### SIDE VIEW



#### OTTOMAN



#### SCATTER



#### STANDARD FEATURES

Frame	Solid timber frame of renewable hardwood
Seat base	Steel sprung suspension
Seat cushion	Cushion
Back cushion	Bordered, wrap around
Leg	Gunmetal powder coated metal leg
Scatters	Bordered

#### INSERTS

Slim wrap  
Feather/fibre  
100% feather

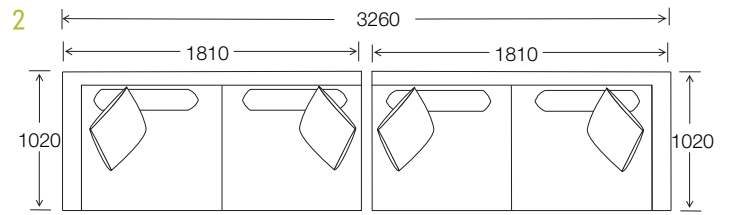
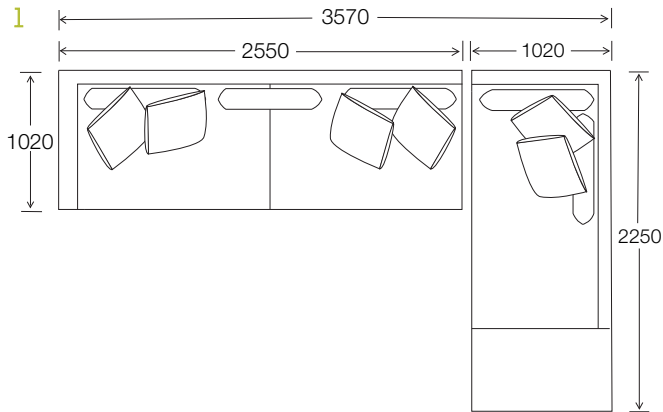
#### AVAILABLE OPTIONS

	Yes	No
Adjustable leg height		x
Alterations to length	x	
Connection clamps	x	
Leather	x	
Leg alternative		x
Loose cover		x
Sofa available	x	

### BRETT MODULAR

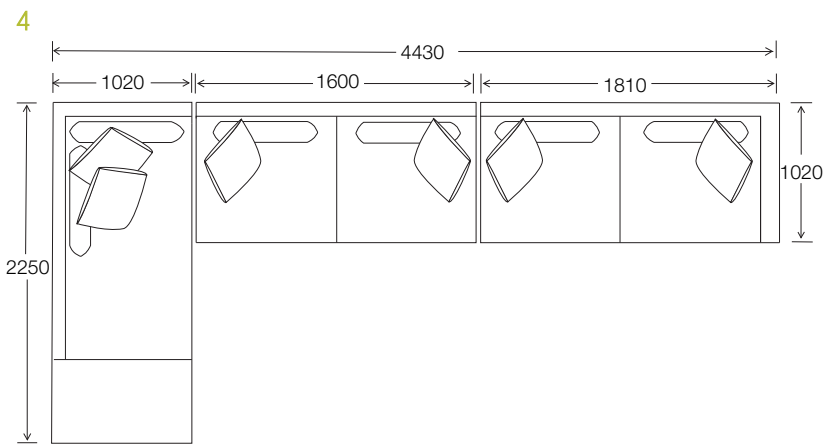
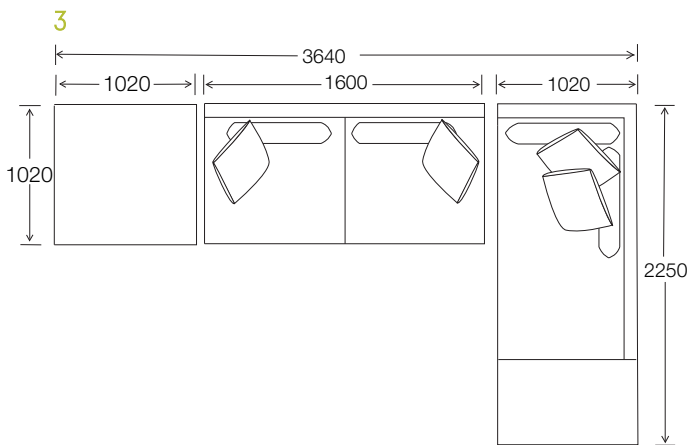
All designs remain the intellectual property of Lounge Designer Furniture PTY LTD ABN 43 115 013 888

## EXAMPLE CONFIGURATIONS



A - 4 seater sofa 1 arm LHF  
F - Corner chaise RHF

D - 2.5 seater sofa 1 arm LHF  
D - 2.5 seater sofa 1 arm RHF



H - Ottoman small  
E - 2.5 seater no arm  
F - Corner chaise RHF

F - Corner chaise LHF  
E - 2.5 seater no arm  
D - 2.5 seater sofa 1 arm RHF