



## BRUTUS MODULAR

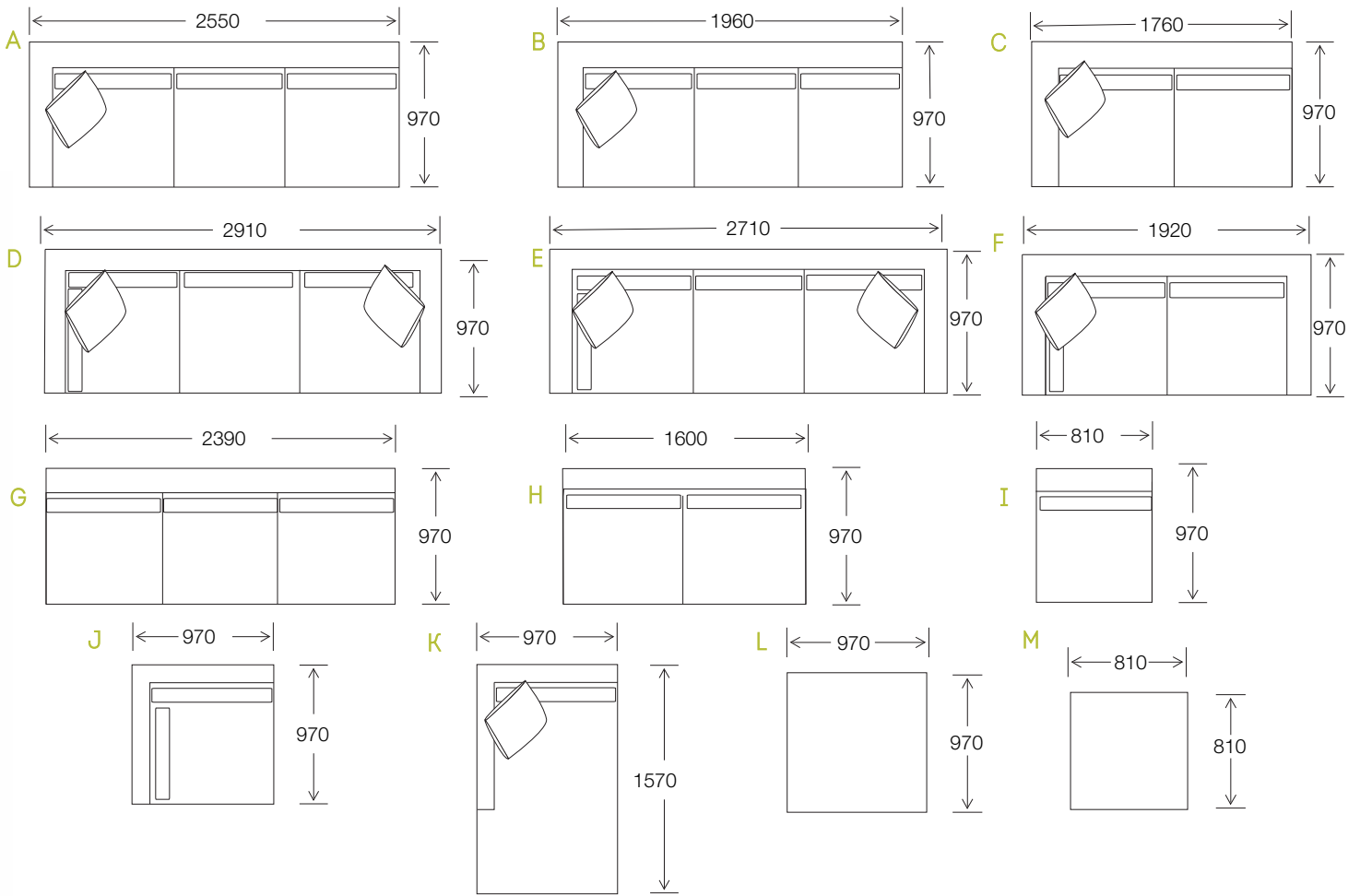
### ————— FEATURES

The Brutus sofa forms the core of the lounge product range due to its simple and well considered design.

It is the quality construction and materials that underpins the simplicity of this design. Brutus is completed by a timber leg, which adds an elegant detail.

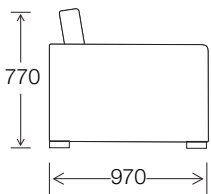
# DIMENSIONS

## ELEMENTS

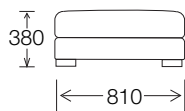


- A - 3.5 seater 1 arm LHF or RHF
- B - 3 seater 1 arm LHF or RHF
- C - 2.5 seater 1 arm LHF or RHF
- D - 4 seater corner 1 arm LHF or RHF
- E - 3.5 seater corner 1 arm LHF or RHF
- F - 2.5 seater corner 1 arm LHF or RHF
- G - 3.5 seater no arms
- H - 2.5 seater no arms
- I - Chair no arms
- J - Corner
- K - Chaise 1 arm LHF or RHF
- L - Large ottoman
- M - Standard ottoman

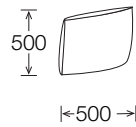
### SIDE VIEW



### OTTOMAN



### SCATTER



### STANDARD FEATURES

Frame  
 Seat base  
 Back cushion  
 Seat cushions  
 Legs  
 Ottoman  
 Scatters

Solid timber frame using renewable hardwood  
 Steel sprung suspension  
 Cushion  
 Cushion  
 Hardwood  
 Fixed top  
 Plain, 2 x cnr sofa / 1 x L/R sofa / 0 x no arm sofa

### INSERTS

Feather/fibre  
 Lux wrap  
 Lux wrap  
 100% feather

### AVAILABLE OPTIONS

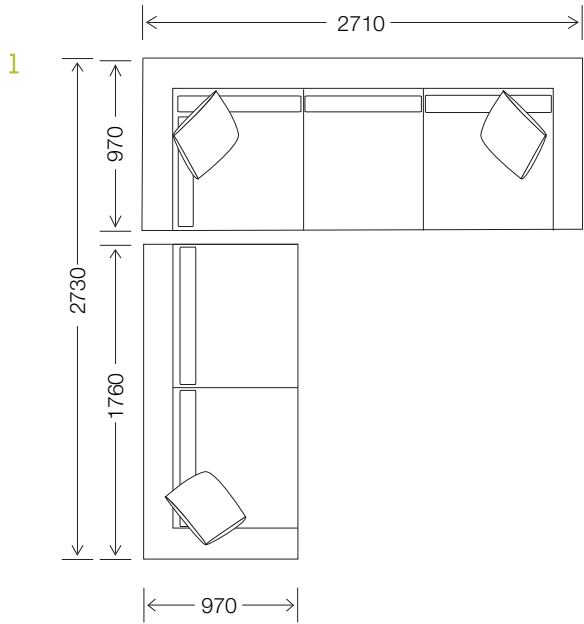
	Yes	No
Adjustable leg height	x	
Alterations to length	x	
Connection clamps	x	
Leather	x	
Leg alternative		x
Loose cover		x
Sofa available	x	

Please note Sofa comes with a plinth, Modular comes with timber legs.

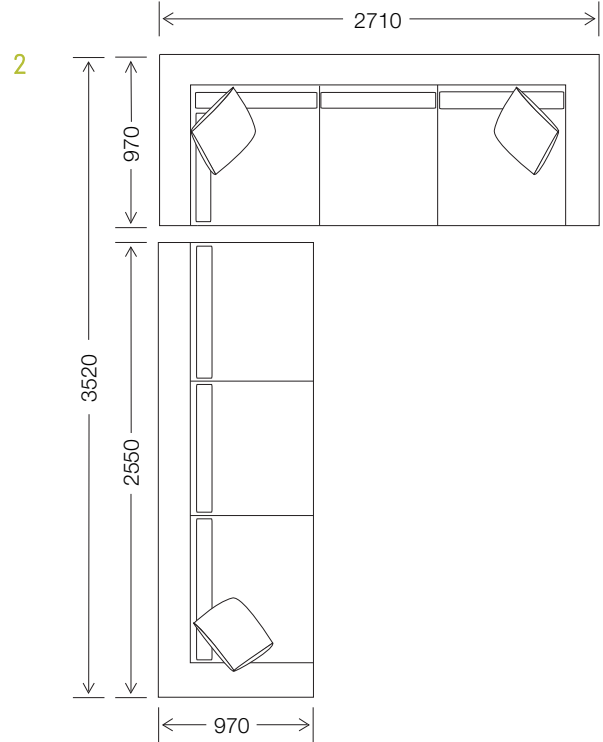
## BRUTUS MODULAR

All designs remain the intellectual property of Lounge Designer Furniture PTY LTD ABN 43 115 013 888

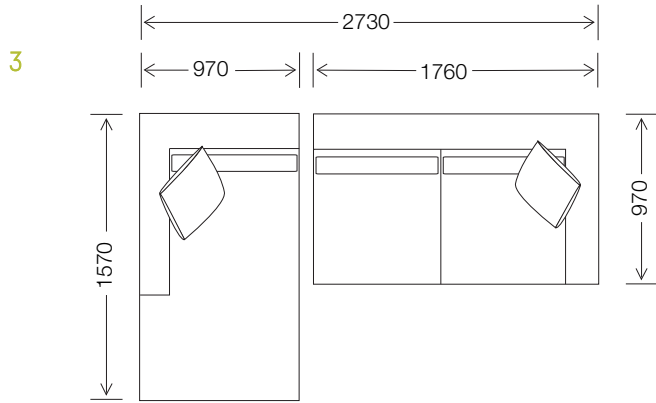
EXAMPLE CONFIGURATIONS



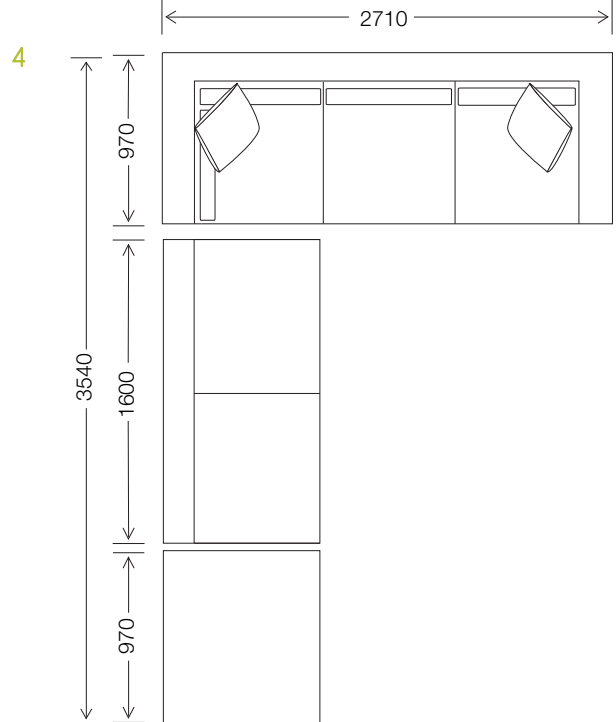
E - 3.5 seater corner 1 arm RHF  
C - 2.5 seater 1 arm LHF



E - 3.5 seater corner 1 arm RHF  
A - 3.5 seater 1 arm LHF



K - Chaise 1 arm LHF  
C - 2.5 seater 1 arm RHF



E - 3.5 seater corner 1 arm RHF  
H - 2.5 seater no arms  
L - Large ottoman