



BRUTUS

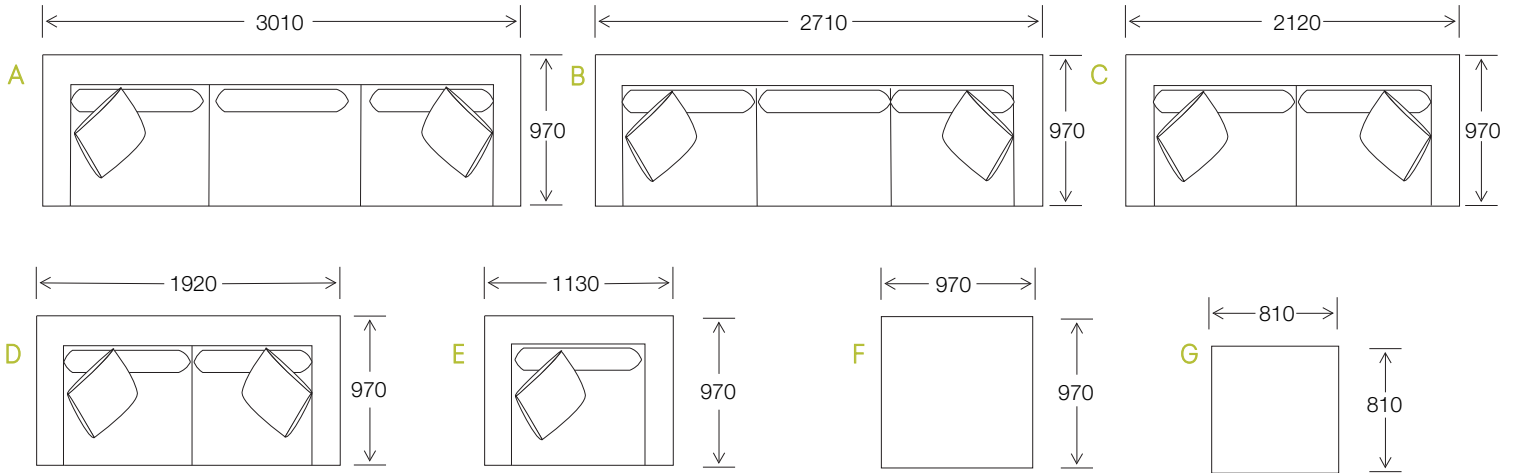
FEATURES

The Brutus sofa forms the core of the lounge product range due to its simple and well considered design.

It is the quality construction and materials that underpins the simplicity of this design. Brutus is completed by a timber plinth, which adds an elegant detail to the base.

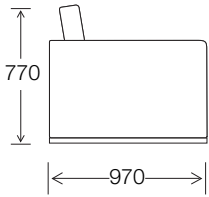
DIMENSIONS

ELEMENTS

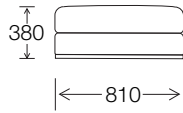


- A - 4 seater
- B - 3.5 seater
- C - 3 seater
- D - 2.5 seater
- E - Chair
- F - Ottoman standard
- G - Ottoman large

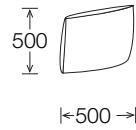
SIDE VIEW



OTTOMAN



SCATTER



STANDARD FEATURES

- | | |
|---------------|---|
| Frame | Solid timber frame using renewable hardwood |
| Seat base | Steel sprung with sprung edge |
| Back cushion | Cushion |
| Seat cushions | Cushion |
| Timber plinth | Victorian ash |
| Ottoman | Fixed top |
| Scatters | Plain, 2 x sofa / 1 x chair |

INSERTS

- Feather/fibre
- Lux wrap
- Lux wrap
- 100% feather

AVAILABLE OPTIONS

	Yes	No
Adjustable plinth height		x
Alterations to length	x	
Connection clamps		x
Leather	x	
Leg alternative	x	
Loose cover		x
Modular available	x	