



GEORGE MODULAR

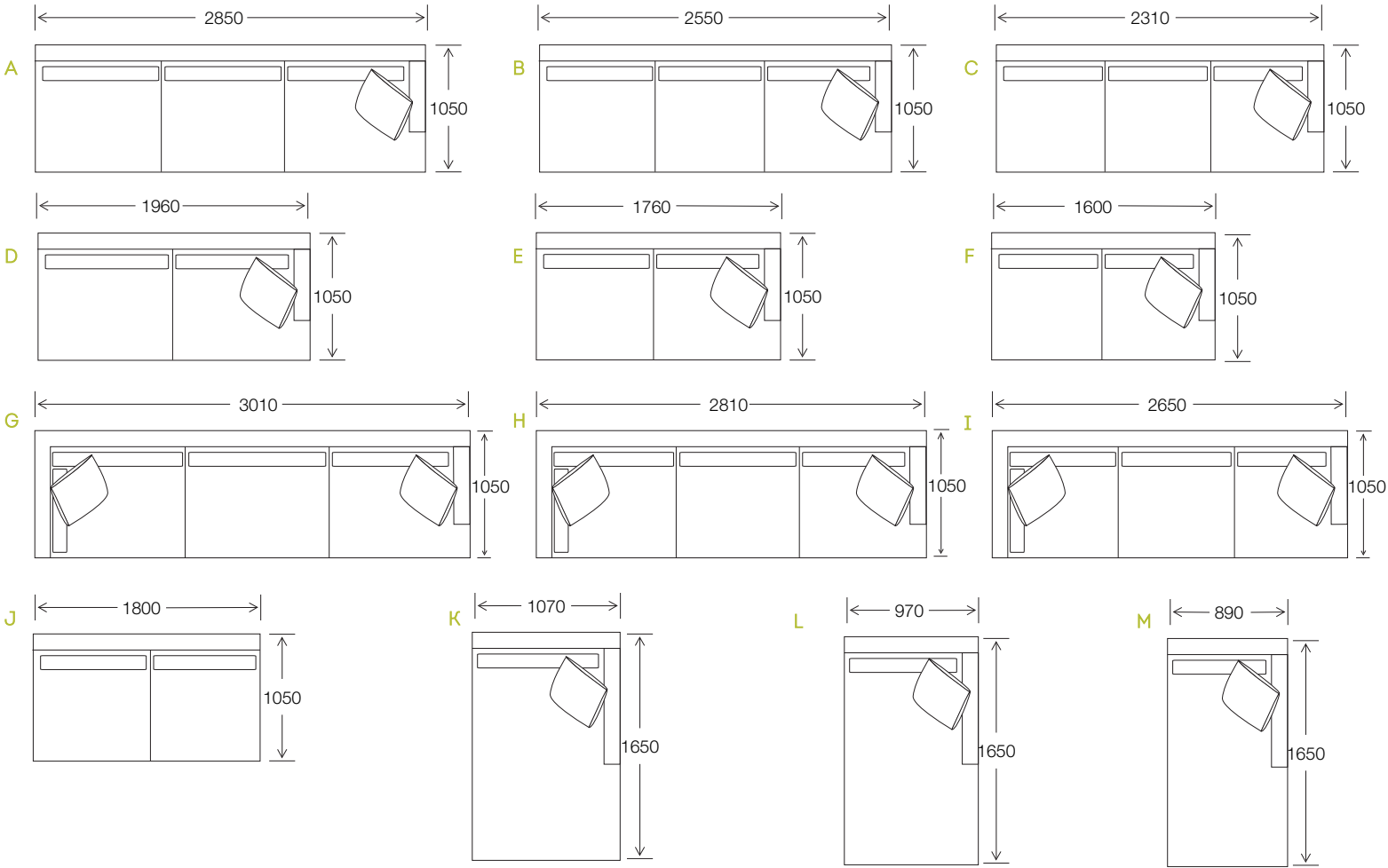
FEATURES

Designed for the modernist environment the George sofa offers a deep seat and low impact back cushions.

Generous proportions allow for the whole family to share in the comfort and durability. The 'T' shaped seat cushion and shortened arm length allow this design to inhabit the space and not overpower the room.

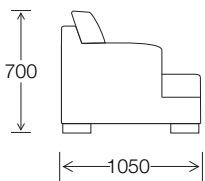
DIMENSIONS

ELEMENTS



- A** - 4 seater 1 arm LHF or RHF
- B** - 3.5 seater 1 arm LHF or RHF
- C** - 3 seater 1 arm LHF or RHF
- D** - 2.5 seater large 1 arm LHF or RHF
- E** - 2.5 seater 1 arm LHF or RHF
- F** - 2 seater 1 arm LHF or RHF
- G** - 4 seater corner 1 arm LHF or RHF
- H** - 3.5 seater corner 1 arm LHF or RHF
- I** - 3 seater corner 1 arm LHF or RHF
- J** - 2.5 seater large no arms
- K** - Chaise large 1 arm LHF or RHF
- L** - Chaise medium 1 arm LHF or RHF
- M** - Chaise small 1 arm LHF or RHF

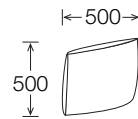
SIDE VIEW



ISOMETRIC VIEW



SCATTER



STANDARD FEATURES

Frame	Solid timber frame using renewable hardwood	
Seat base	Steel sprung	
Back cushion	Cushion	
Seat cushions	Cushion	
Leg	Hardwood	
Scatters	Plain, 2 x cnr sofa / 1 x arm sofa / 0 x no arm sofa	

INSERTS

Feather/fibre	
Delux wrap	
100% feather	

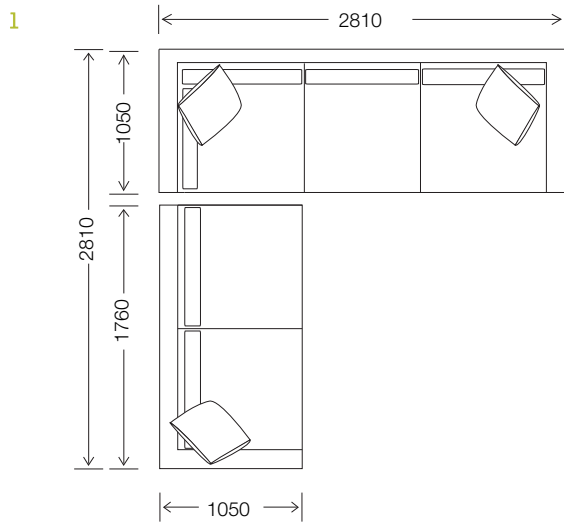
AVAILABLE OPTIONS

	Yes	No
Adjustable leg height	x	
Alterations to length	x	
Connection clamps	x	
Leather	x	
Leg alternative		x
Loose cover		x
Sofa available	x	

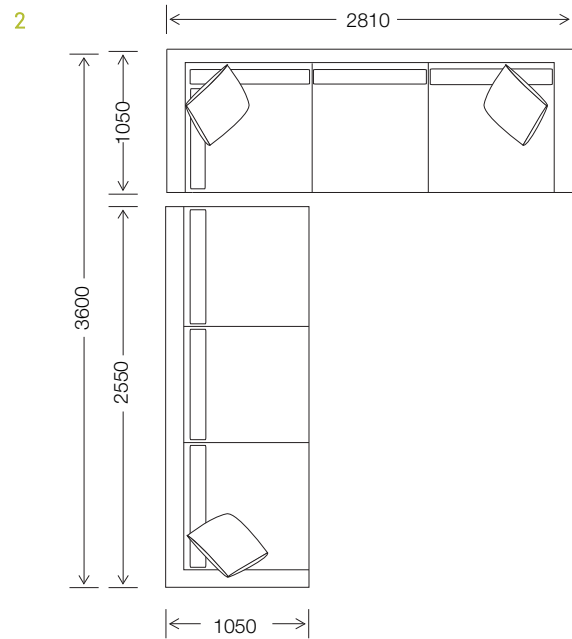
GEORGE MODULAR

All designs remain the intellectual property of Lounge Designer Furniture PTY LTD ABN 43 115 013 888

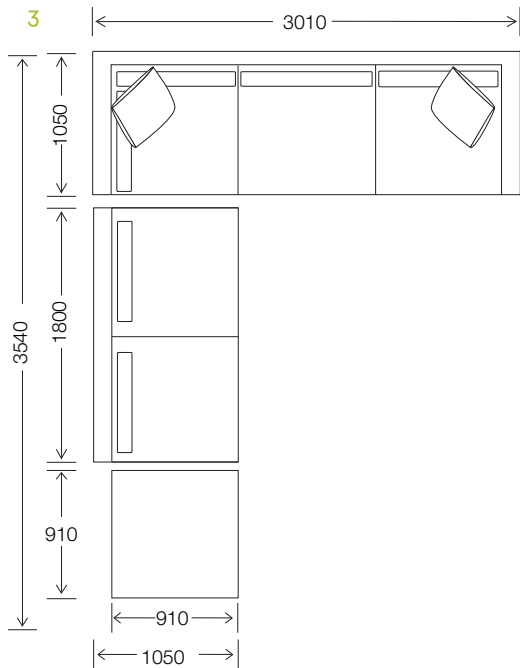
EXAMPLE CONFIGURATIONS



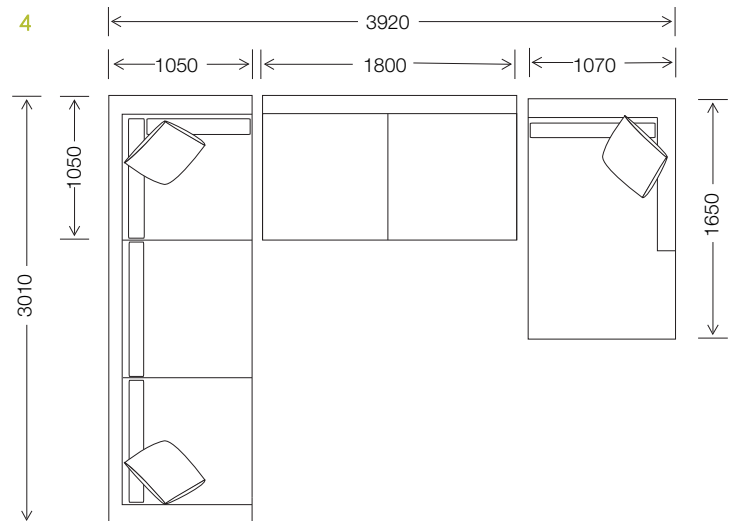
H - 3.5 seater corner 1 arm RHF
E - 2.5 seater 1 arm LHF



H - 3.5 seater corner 1 arm RHF
B - 3.5 seater 1 arm LHF



G - 4 seater corner 1 arm RHF
J - 2.5 seater large no arms
L - Large ottoman



K - 4 seater corner 1 arm LHF
H - 2.5 seater large no arms
D - Large chaise 1 arm RHF